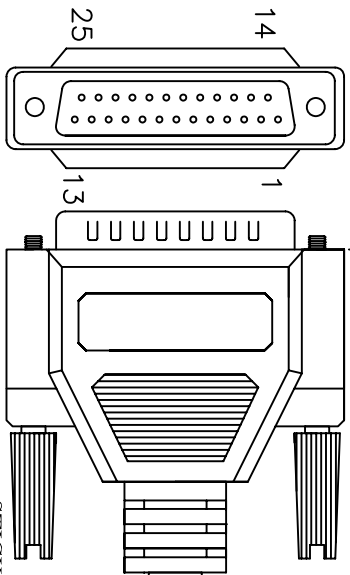
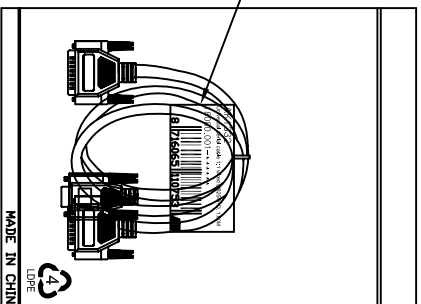


1800±30mm



DB25M
BEIGE MOLDING

STICKER



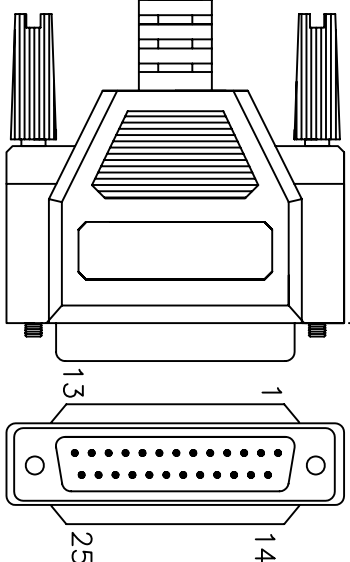
NOTE:

1. CABLE: 28AWG, NON-UL, AL-FOIL, 9C+1, BEIGE COLOR, OD=5.0mm, PVC JACKET.
2. LENGTH: 1800mm
3. CONNECTOR: DB9F * 1, DB25M*1, DB25F*1, (BLACK INSULATOR)
4. SCREW: #4-40 SCREW*6PCS.
5. MOLD: BEIGE MOLDING
6. CONTACTS:

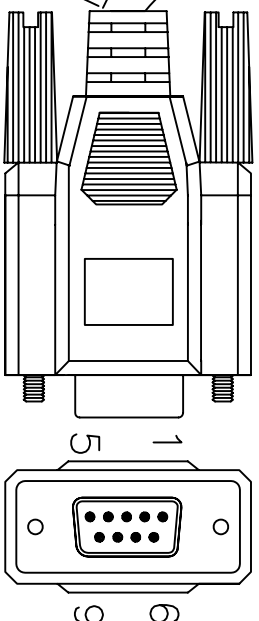
DB9F	1	2	3	4	5	6	7	8	9	64
DB25F	8	3	2	20	7	6	4	5	22	64
DB25M	8	3	2	20	7	6	4	5	22	64

7. OPEN/SHORT TEST: 100% TEST.
- INSULATION: MIN. 5M.

100±10mm



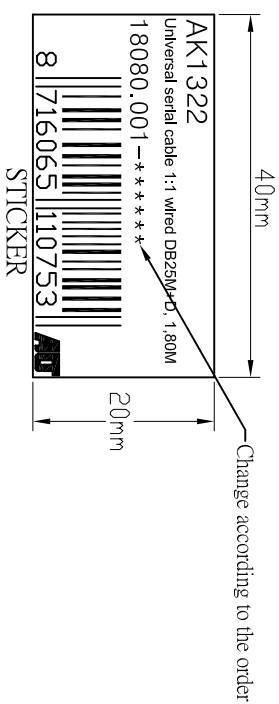
DB25F
BEIGE MOLDING



DB9F
BEIGE MOLDING

RoHS Compliant

Company	I.B.V		Goods Code			Draw	FC001 WJF	Date	2009.10.13	
ITEM NO.	AK1322		Drawing Evidence			Check		Date		
Goods NO.						Approval		Date		
Original NO.	S*****	Unit(mm)						Date		



D	
C	
B	Adding Packaging Info.
VER. A	REVISE
Date	1004.02XW