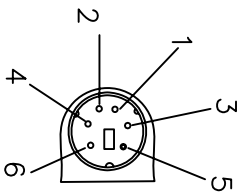
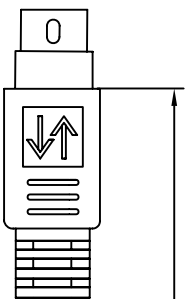


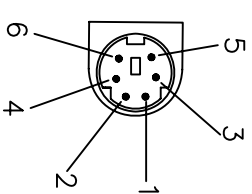
L+T



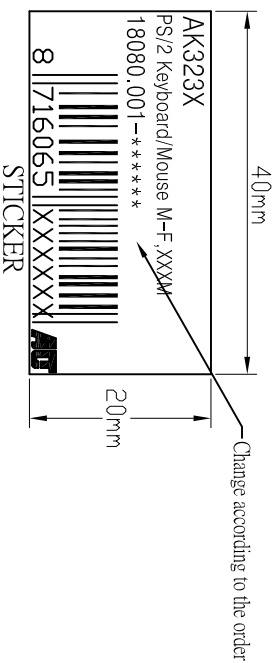
MD6M  
BEIGE MOLDING



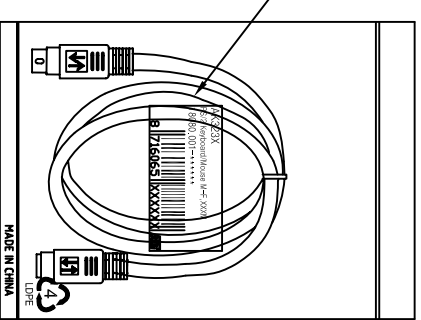
MD6F  
BEIGE MOLDING



ITEM NO.	Length	Tolerance	PE BAG	Barcode
AK 3230	1800mm	30mm	0.06*190*300mm	8716065111910
AK 3233	3000mm	30mm	0.06*190*300mm	8716065111927




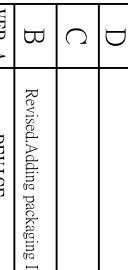
STICKER

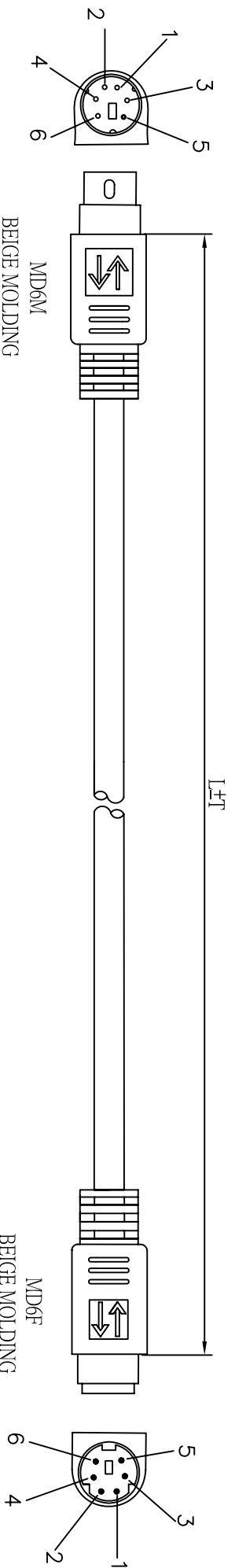


RoHS Compliant

1PCS/PE BAG+STICKER

- NOTE:
1. CABLE:NON-UL 28#\*6C+1+AL,OD=5.0mm,BEIGE COLOR,PVC JACKET.
  2. LENGTH:L
  3. CONNECTORS: MD 6M \*1PCS,MD 6F\*1PCS(BLACK INSULATOR)
  4. MOLD:BEIGE MOLDING.
  5. CONTACTS:
- |      |   |   |   |   |   |   |    |
|------|---|---|---|---|---|---|----|
| MD6M | 1 | 2 | 3 | 4 | 5 | 6 | 64 |
| MD6F | 1 | 2 | 3 | 4 | 5 | 6 | 64 |
6. OPEN/SHORT TEST: 100% TEST.  
INSULATION: 5M.

Company	I.B.V	Goods Code	Draw	FC001 WJF	Date	2009.10.14
ITEM NO.	AK 323X(M-F)	Drawing Evidence:	Check		Date	
Goods NO.	S:*****	Unit(mm)	Approval		Date	
Original NO.						
						
						
			VER. A	REV:SF	Date	

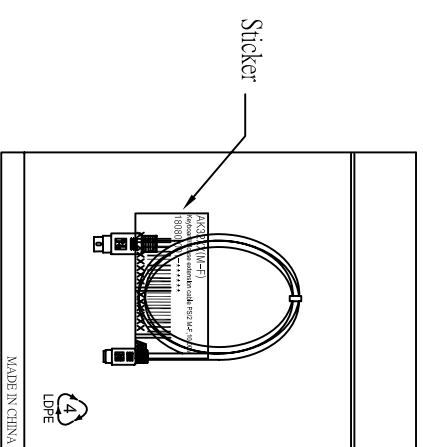
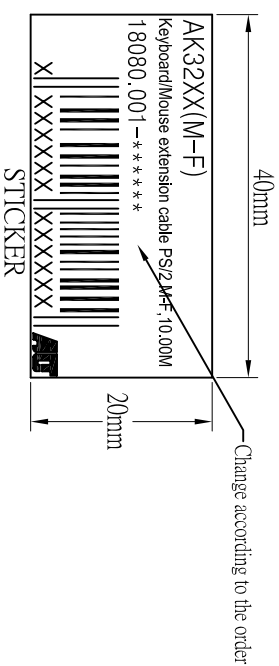


ITEM NO.	Length	Tolerance	Sticker
AK 3240	10000mm	100mm	871606511972
AK 3245	15000mm	100mm	8716065112016
AK 3246	20000mm	100mm	8716065112023
AK 3248	30000mm	100mm	8716065112047

**NOTE:**

1. CABLE:NON-UL 26#\*6C+1+AL,OD=6.0mm,BEIGE COLOR,PVC JACKET.
2. LENGTH:L
3. CONNECTORS: MD 6M \*1PCS,MD 6F\*1PCS(BLACK INSULATOR)
4. MOLD:BEIGE MOLDING.
5. CONTACTS:  

MD6M	1	2	3	4	5	6	64
MD6F	1	2	3	4	5	6	64
6. OPEN/SHORT TEST: 100% TEST.  
INSULATION: 5M.



1PCS/PE BAG(0.06\*190\*300mm)+Sticker

RoHS Compliant

Company	L.B.V	Goods Code	Draw	FC001 WJF	Date	2009.10.14	D	Adding Packaging Info.	10.04.06 WJF
ITEM NO.	AK 32XX(M-F)	Drawing Evidence:	Check		Date		C	Conductor size amendment, the original is 28AWG	10.03.26 WJF
Goods NO.	S:*****	Unit(mm)	Approval		Date		B	REV1SF	
Original NO.							VER. A		Date

